

# WHAT?

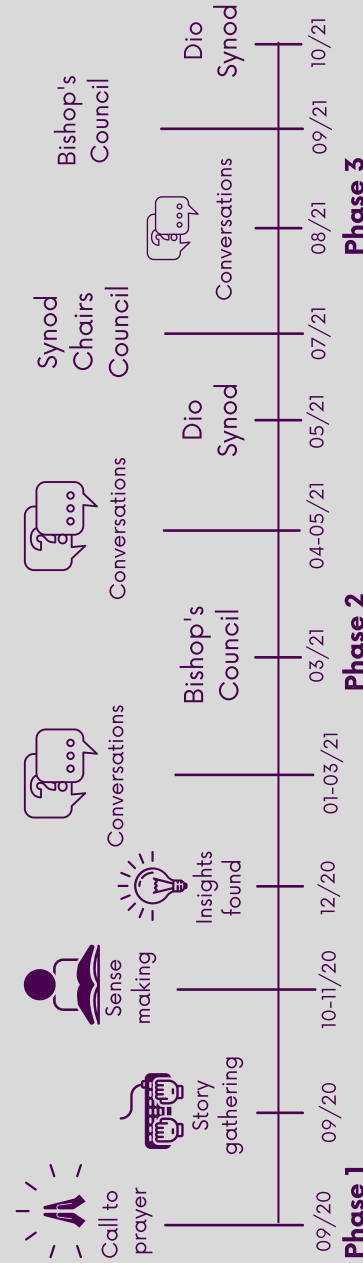
Shaped by God Together is a process of prayerfully and practically working out together, with you, how we can best use our ministry, buildings and finances to live out our Everyday Faith in a rapidly changing world.



With prayer and conversation at its heart, it has already begun, and will continue to, engage as many people from the diocese as possible in helping to discern and pay attention to what God is saying.

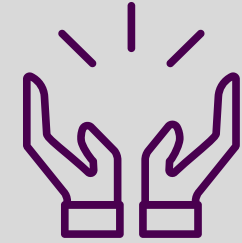
At the end of the process the way we shape ministry in the diocese will undoubtedly look different from how it looks now, but the process has no pre-set blueprint or final plan; all we do know is that we want to be in the best shape to enable an effective, contextually appropriate, and missional Christian presence throughout the diocese.

## TIMELINE



A detailed explanation of this timeline can be found at [leicester.anglican.org/about-us/sbgt](https://leicester.anglican.org/about-us/sbgt)

# SHAPED BY GOD TOGETHER



Church is changing: join in the Shaped By God Together process which is seeking better ways to support our churches and worshipping communities as we grow the Kingdom of God and live out our everyday faith in the Diocese of Leicester.



Diocese of  
**Leicester**  
Shaped by God

## HOW & WHEN?

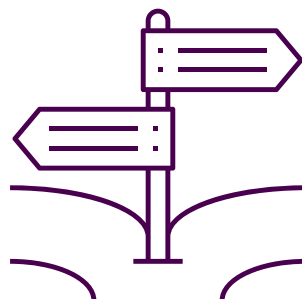


The Shaped By God Together process began in September 2020 with a call to pray from Bishops Martyn and Guli. This led to a period of collecting stories of how people from around the diocese had experienced both church and their personal faith during lockdown. Insights from these stories were then the subject of conversations to which there was an open invite to anyone from the diocese to join. This first conversation period lasted from January to March 2021 and insights were grouped and analysed.

Work streams were formed, with groups looking at Ministry, Finance, Buildings and Ministry Support, and further open invitation conversations were held around these subject areas.

More conversations took place between April and June, developing possible models for future ministry in the diocese. These conversations have included further open invitation conversations, Deanery webinars and local conversations parishes, benefices and fresh expressions.

As we move towards greater clarity around a possible diocesan framework more conversations will take place during July to September, culminating in the October 2021 Diocesan Synod voting on detailed proposals for a new diocesan framework. (A pictorial illustration of this process can be found on the reverse of this card and more details can be found on the diocesan website.)



## WHERE DO I FIT IN?

We'd love as many people as possible from around the diocese to be engaged with the process and contributing to it.



At the very least, we'd certainly be very grateful of your prayers for your church and our future together! Why not keep an eye on Diomail, the diocesan website or social media channels, and find out when conversations are taking place and offer to be a part of them? Or ask a question of your Deanery Synod rep or priest or Area Dean.

From the first gathering of stories back in September 2020 and as the process continues we hope that we'll be listening to each other, involving as many people as possible, paying attention to God and responding creatively as we look to move into the future with both humility and confidence.

To find out more about the process please visit the diocesan website:

[leicester.anglican.org/about-us/sbgt](https://leicester.anglican.org/about-us/sbgt)